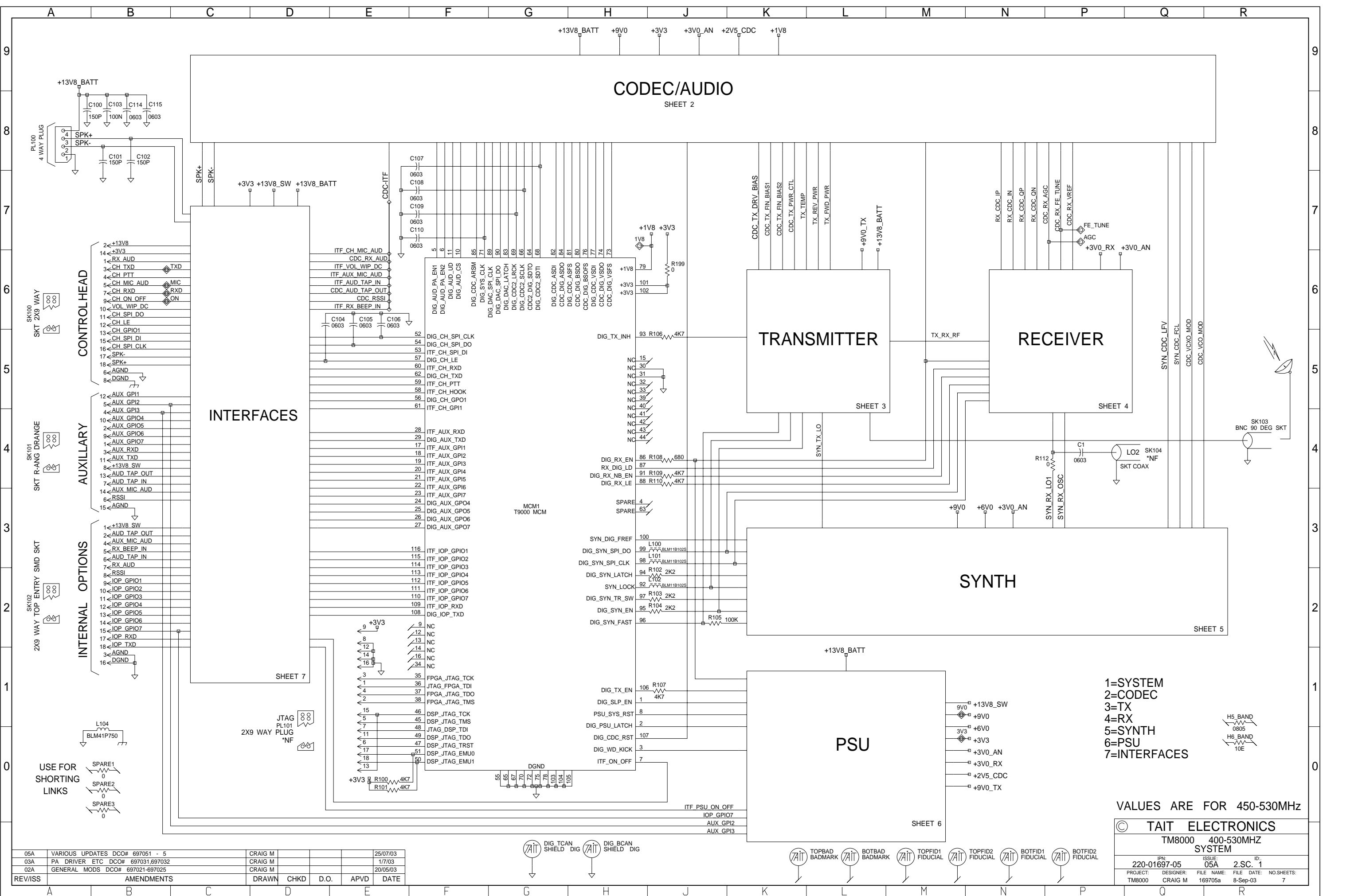


CODEC/AUDIO

SHEET 2

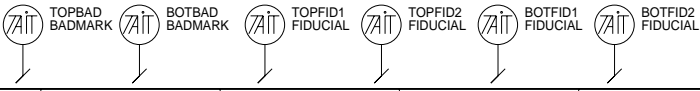
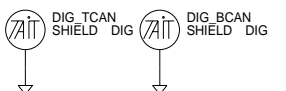


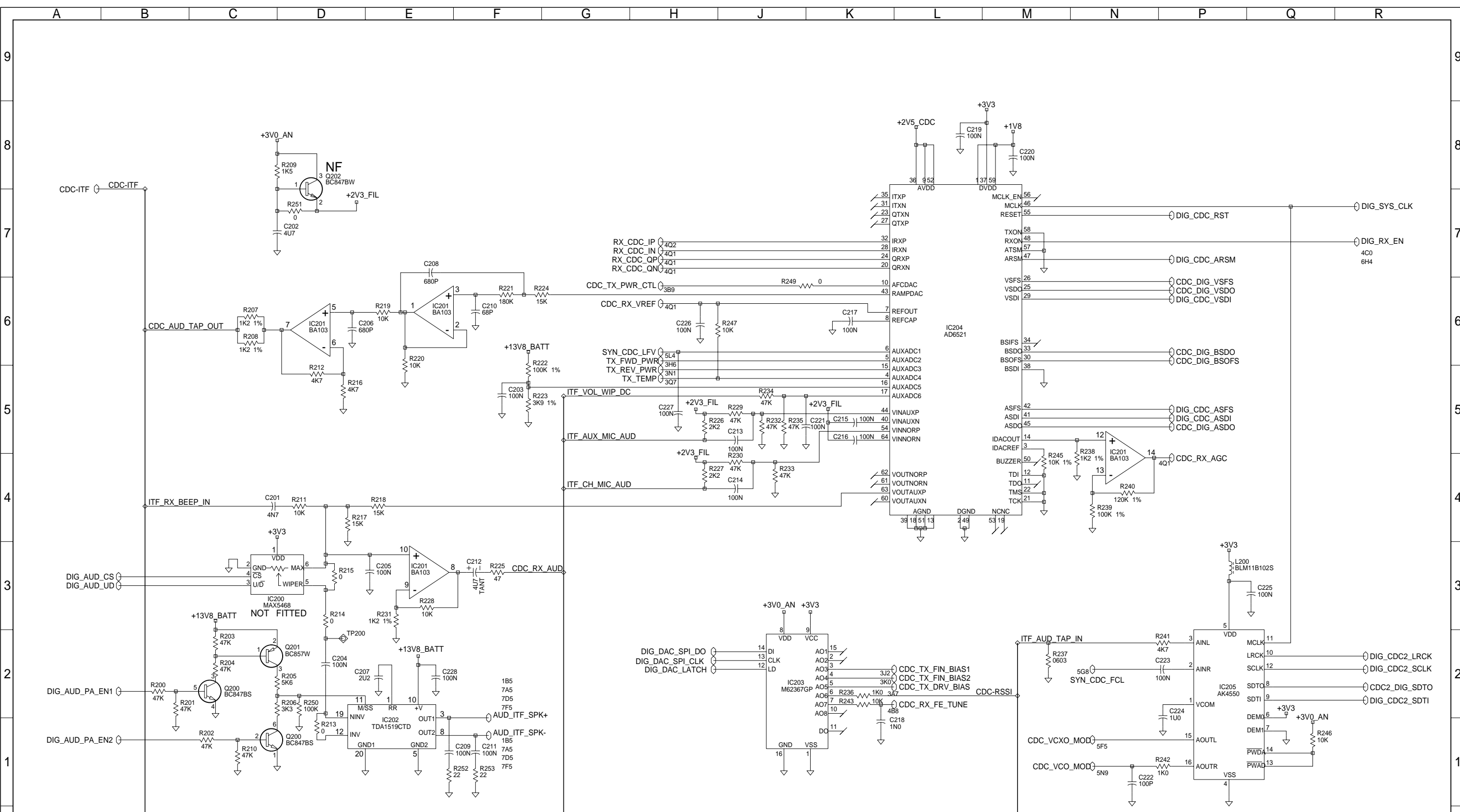
- 1=SYSTEM
- 2=CODEC
- 3=TX
- 4=RX
- 5=SYNTH
- 6=PSU
- 7=INTERFACES

VALUES ARE FOR 450-530MHZ

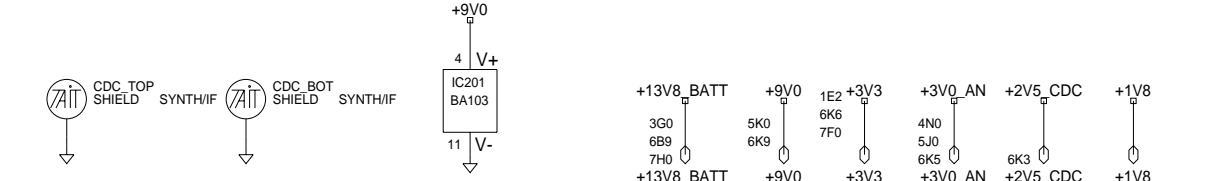
© TAIT ELECTRONICS	
TM8000 400-530MHZ SYSTEM	
IPN: 220-01697-05	ISSUE: 05A
PROJECT: TM8000	DESIGNER: CRAIG M
FILE NAME: 169705a	DATE: 8-Sep-03
NO. SHEETS: 7	

05A	VARIOUS UPDATES DCO# 697051 - 5	CRAIG M			25/07/03
03A	PA DRIVER ETC DCO# 697031,697032	CRAIG M			17/03
02A	GENERAL MODS DCO# 697021-697025	CRAIG M			20/05/03
REV/ISS	AMENDMENTS	DRAWN	CHKD	D.O.	APVD DATE





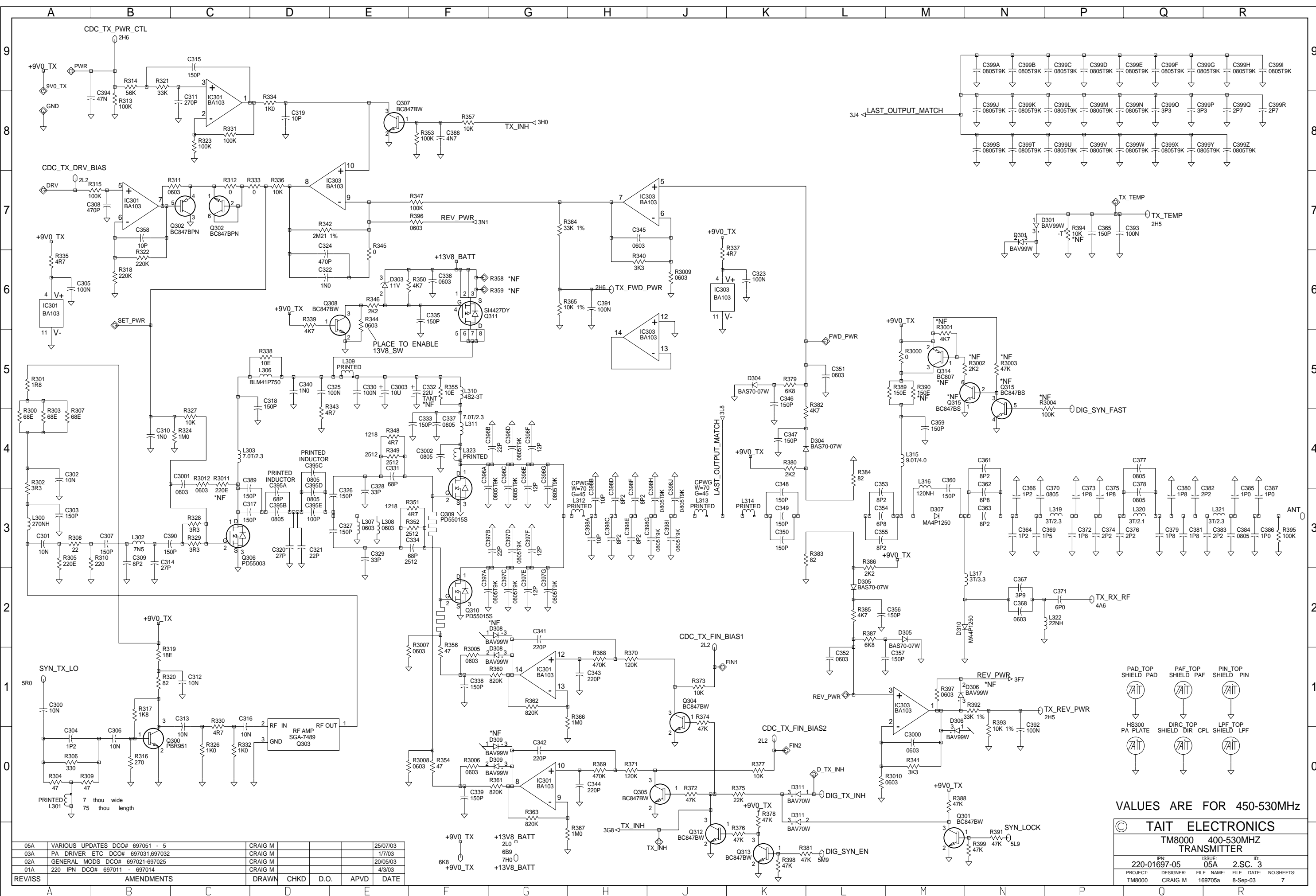
05A	VARIOUS UPDATES DCO# 697051 - 5	CRAIG M			25/07/03
03A	PA DRIVER ETC DCO# 697031,697032	CRAIG M			17/7/03
02A	GENERAL MODS DCO# 697021-697025	CRAIG M			20/05/03
01A	220 IPN DCO# 697011 - 697014	CRAIG M			4/3/03
REV/ISS	AMENDMENTS	DRAWN	CHKD	D.O.	APVD DATE



VALUES ARE FOR 450-530MHZ

© TAIT ELECTRONICS
TM8000 400-530MHZ CODEC

IPN: 220-01697-05 ISSUE: 05A 2.S.C. 2 ID:
PROJECT: TM8000 DESIGNER: CRAIG M FILE NAME: 169705a FILE DATE: 8-Sep-03 NO.SHEETS: 7

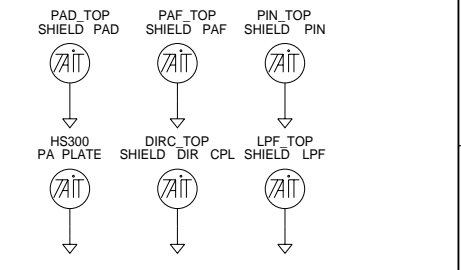


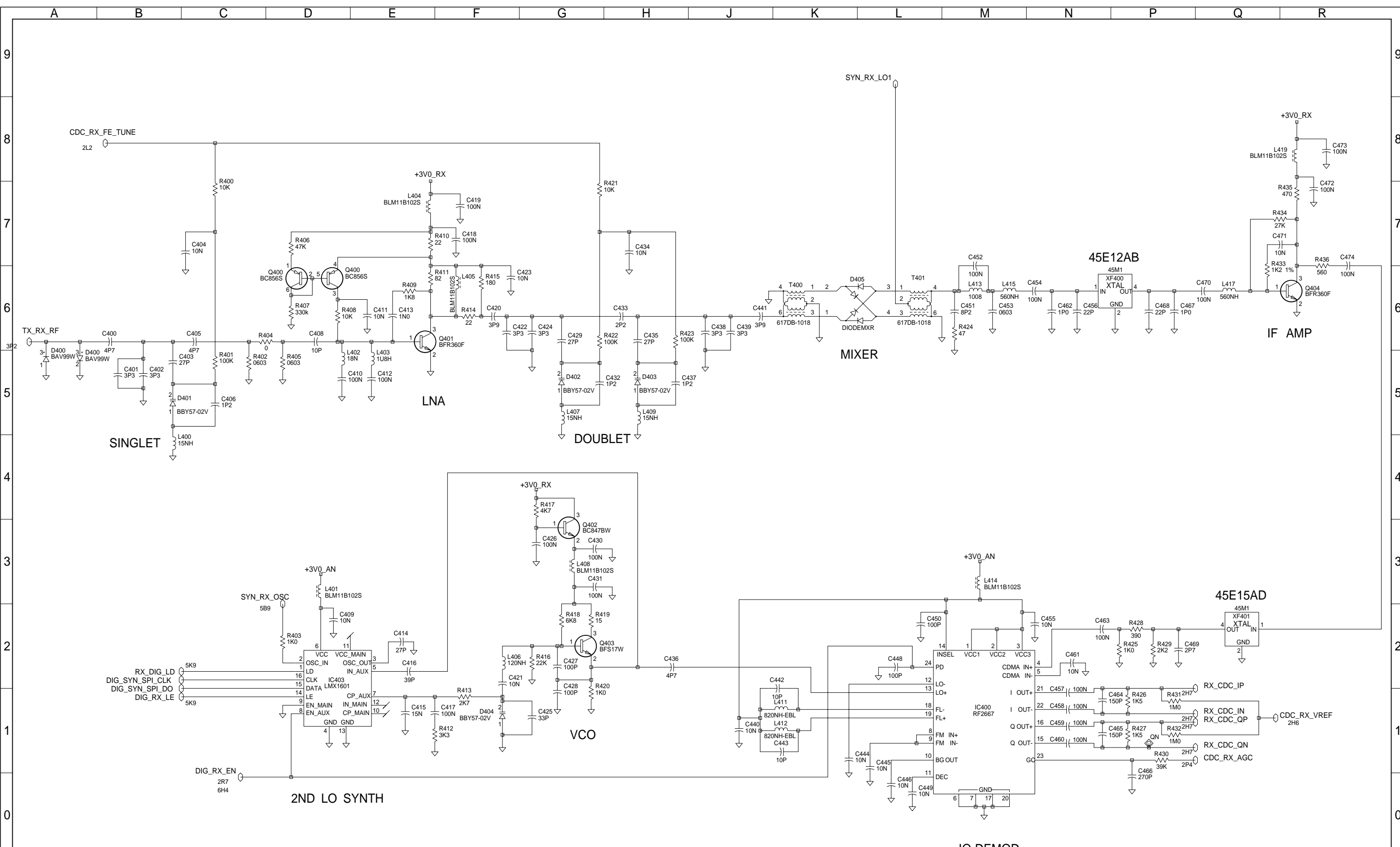
05A	VARIOUS UPDATES DCO# 697051 - 5	CRAIG M			25/07/03
03A	PA DRIVER ETC DCO# 697031,697032	CRAIG M			17/7/03
02A	GENERAL MODS DCO# 697021-697025	CRAIG M			20/05/03
01A	220 IPN DCO# 697011 - 697014	CRAIG M			4/3/03
REV/ISS	AMENDMENTS	DRAWN	CHKD	D.O.	APVD DATE

VALUES ARE FOR 450-530MHZ

© TAIT ELECTRONICS
TM8000 400-530MHZ TRANSMITTER

IPN: 220-01697-05	ISSUE: 05A	ID: 2.SC. 3
PROJECT: TM8000	DESIGNER: CRAIG M	FILE NAME: 169705a
DATE: 8-Sep-03	NO. SHEETS: 7	

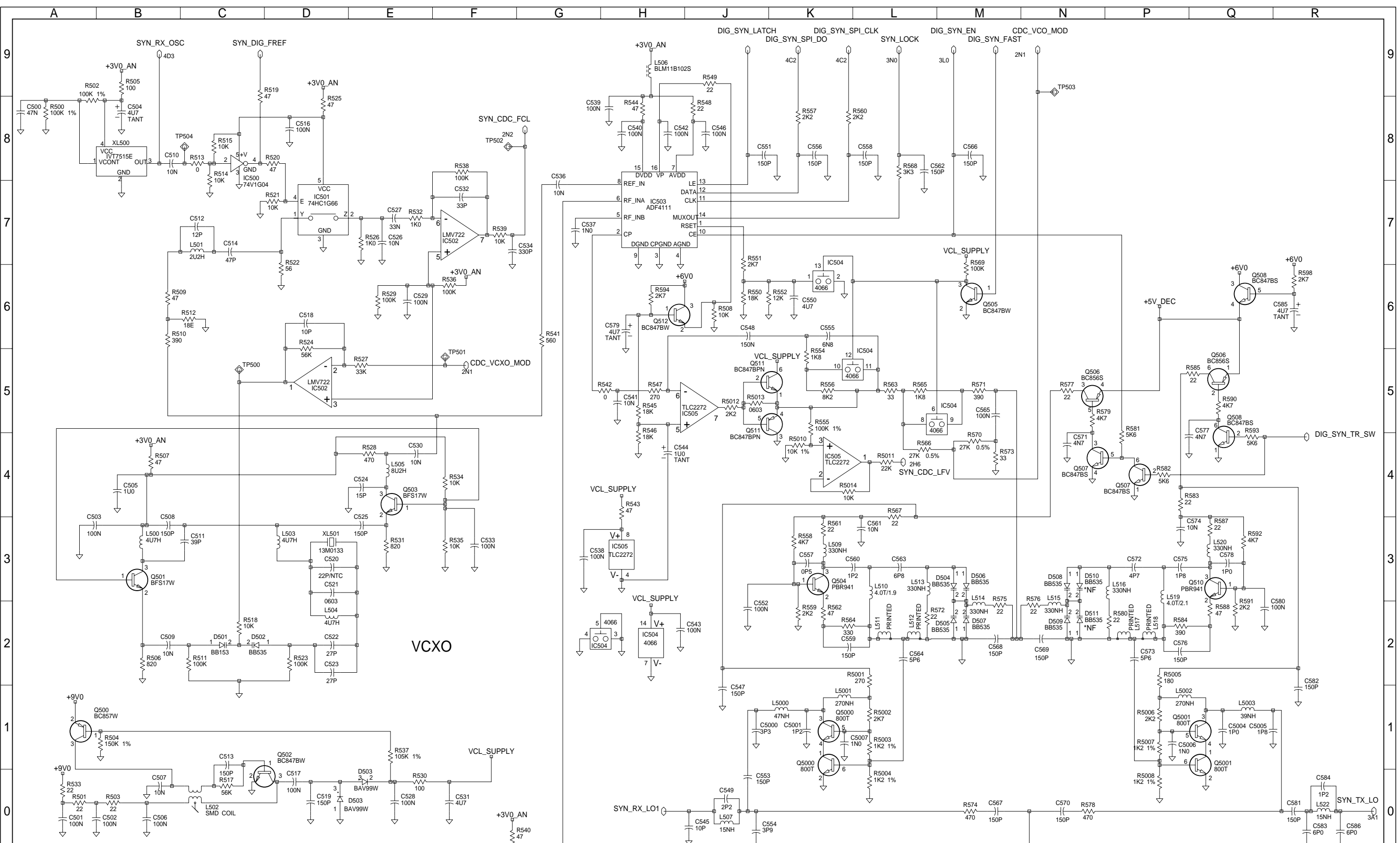




VALUES ARE FOR 450-530MHZ

© TAIT ELECTRONICS			
TM8000 400-530MHZ RECEIVER			
IPN: 220-01697-05	ISSUE: 05A	2.SC. 4	ID:
PROJECT: TM8000	DESIGNER: CRAIG M	FILE NAME: 169705a	DATE: 8-Sep-03
NO. SHEETS: 7			

05A	VARIOUS UPDATES DCO# 697051 - 5	CRAIG M			25/07/03
03A	PA DRIVER ETC DCO# 697031,697032	CRAIG M			17/03
02A	GENERAL MODS DCO# 697021-697025	CRAIG M			20/05/03
01A	220 IPN DCO# 697011 - 697014	CRAIG M			4/3/03
REV/ISS	AMENDMENTS	DRAWN	CHKD	D.O.	APVD DATE



VALUES ARE FOR 450-530MHZ

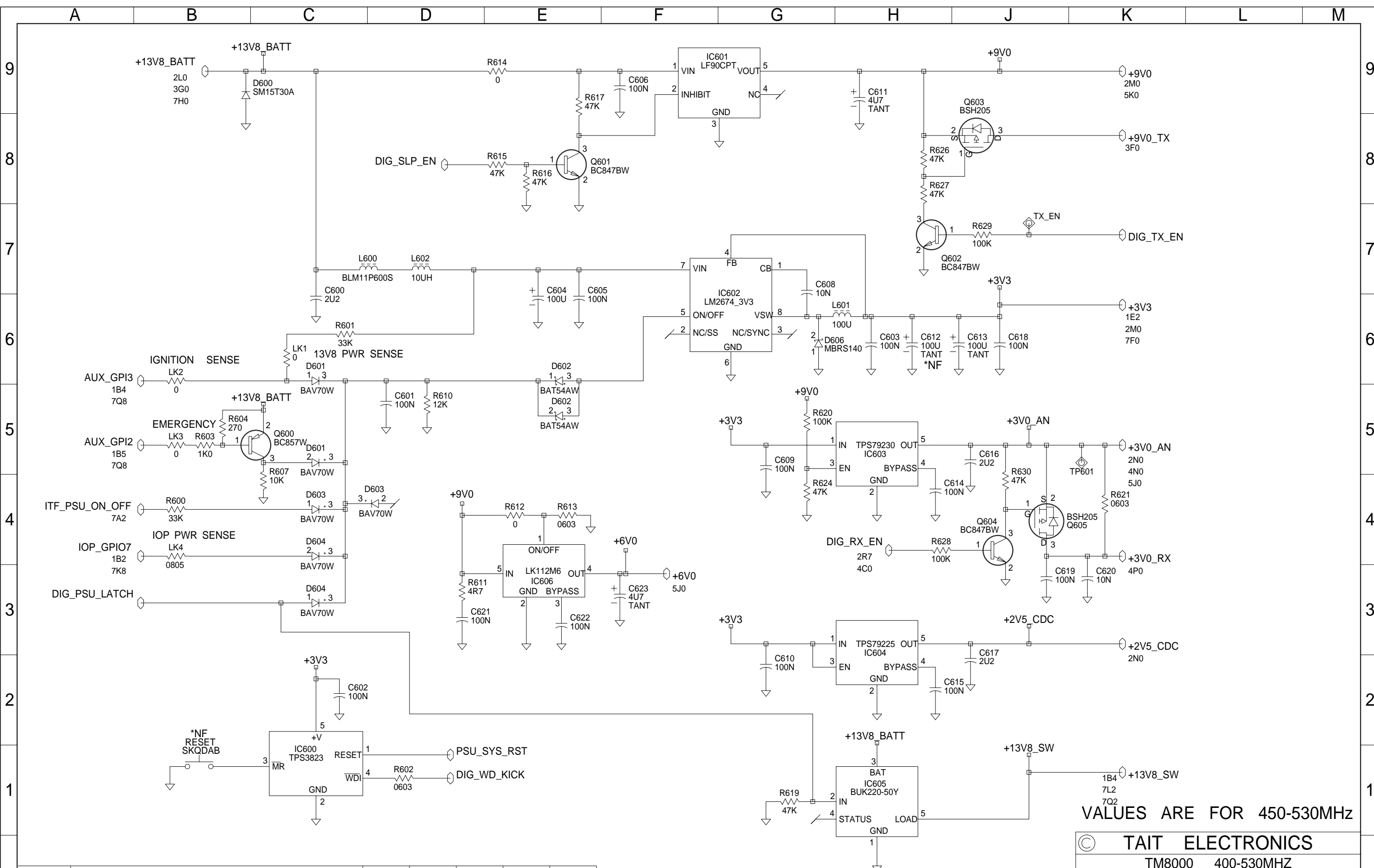
© TAIT ELECTRONICS

TM8000 400-530MHZ SYNTH & VCOS

IPN: 220-01697-05 ISS: 05A 2.SC. 5

PROJECT: TM8000 DESIGNER: CRAIG M FILE NAME: 169705a FILE DATE: 8-Sep-03 NO.SHEETS: 7

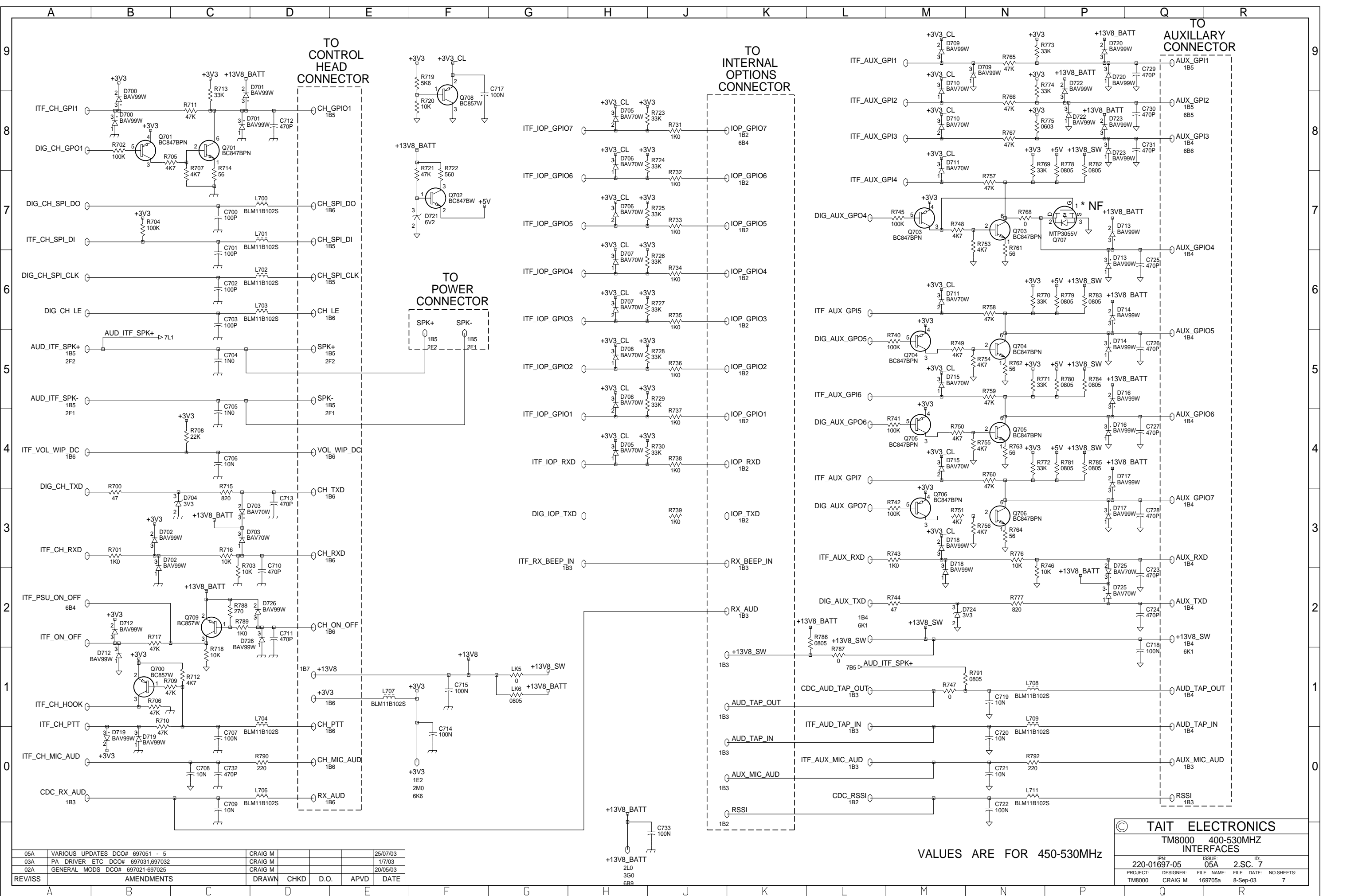
05A	VARIOUS UPDATES DCO# 697051 - 5	CRAIG M			25/07/03
03A	PA DRIVER ETC DCO# 697031,697032	CRAIG M			17/7/03
02A	GENERAL MODS DCO# 697021-697025	CRAIG M			20/05/03
01A	220 IPN DCO# 697011 - 697014	CRAIG M			4/3/04
REV/ISS	AMENDMENTS	DRAWN	CHKD	D.O.	APVD DATE



VALUES ARE FOR 450-530MHz

© TAIT ELECTRONICS
 TM8000 400-530MHZ
 POWERSUPPLY
 IPN: 220-01697-05 ISSUE: 05A ID: 2.SC. 6
 PROJECT: TM8000 DESIGNER: CRAIG M FILE NAME: 169705a FILE DATE: 8-Sep-03 NO.SHEETS: 7

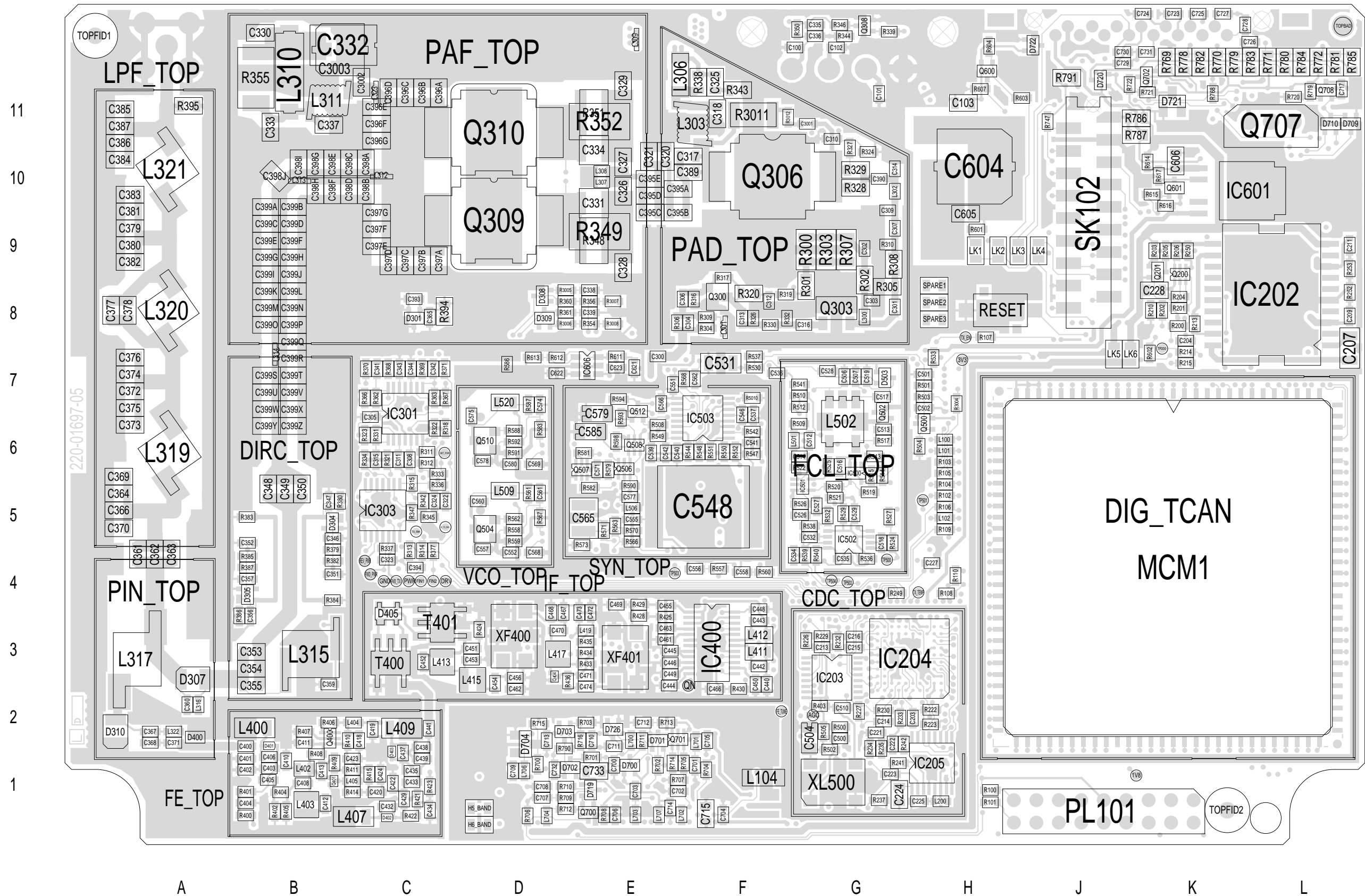
05A	VARIOUS UPDATES DCO# 697051 - 5	CRAIG M			25/07/03
03A	PA DRIVER ETC DCO# 697031,697032	CRAIG M			1/7/03
02A	GENERAL MODS DCO# 697021-697025	CRAIG M			20/05/03
01A	220 IPN DCO# 697011 - 697014	CRAIG M			4/3/03
REV/ISS	AMENDMENTS	DRAWN	CHKD	D.O.	APVD DATE



05A	VARIOUS UPDATES DCO# 697051 - 5	CRAIG M			25/07/03
03A	PA DRIVER ETC DCO# 697031,697032	CRAIG M			17/03
02A	GENERAL MODS DCO# 697021-697025	CRAIG M			20/05/03
REV/ISS	AMENDMENTS	DRAWN	CHKD	D.O.	APVD
					DATE

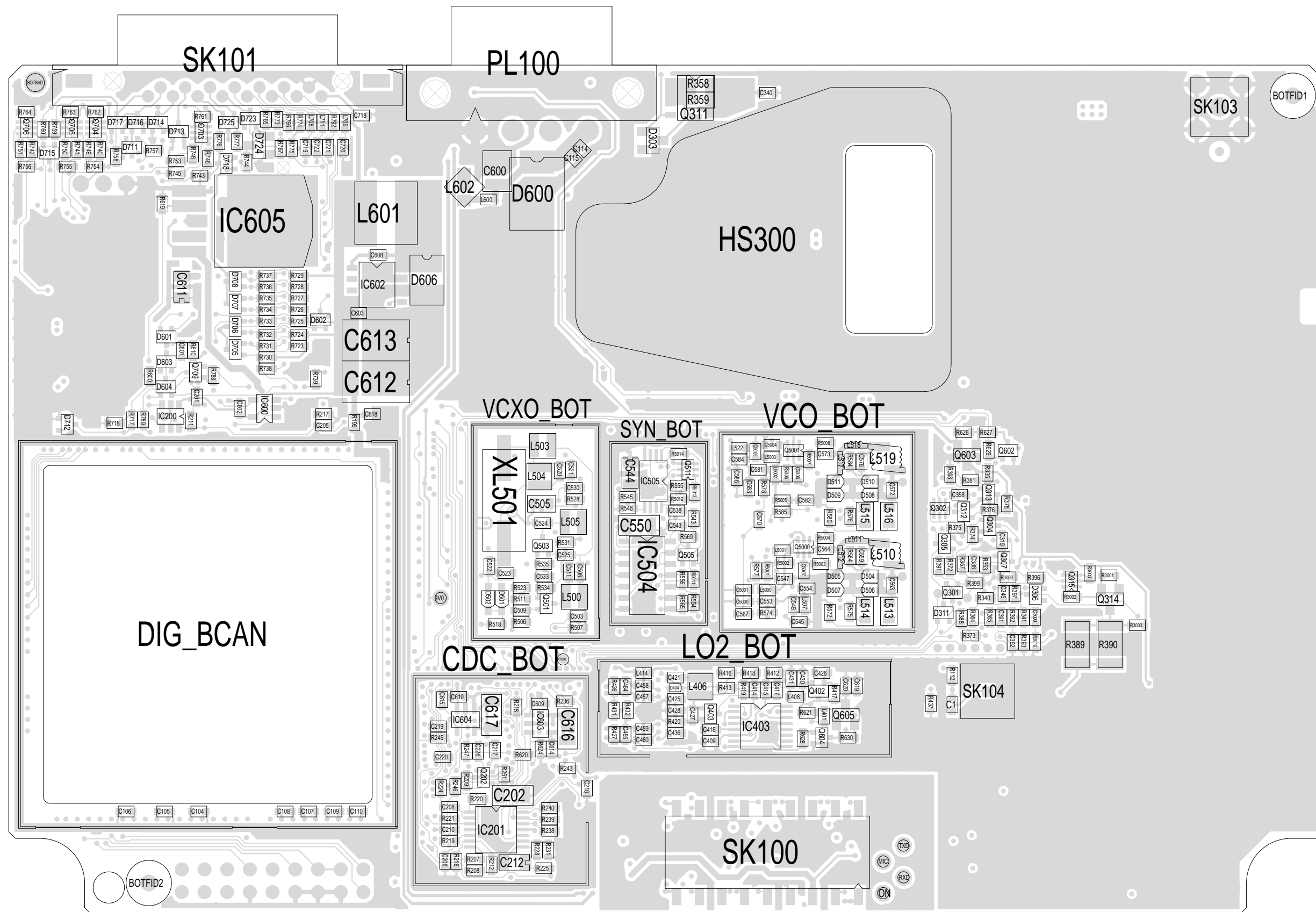
© TAIT ELECTRONICS
 TM8000 400-530MHZ INTERFACES
 IPN: 220-01697-05 ISSUE: 05A 2.SC. 7
 PROJECT: TM8000 DESIGNER: CRAIG M FILE NAME: 169705a FILE DATE: 8-Sep-03 NO. SHEETS: 7

VALUES ARE FOR 450-530MHZ



TAIT ELECTRONICS IPN: 220-01697-05 ISS: A ID: 1.TA DATE: 8 Sep 2003
 UHF 400-530M PCB LAYOUT - TOP SIDE

Scale: 2.2:1 ; Rotation: 0 degrees



11
10
9
8
7
6
5
4
3
2
1

L K J H G F E D C B A

TAIT ELECTRONICS IPN: 220-01697-05 ISS: A ID: 4.BA DATE: 8 Sep 2003
UHF 400-530M PCB LAYOUT - BOTTOM SIDE

Scale: 2.2:1 ; Rotation: 0 degrees